

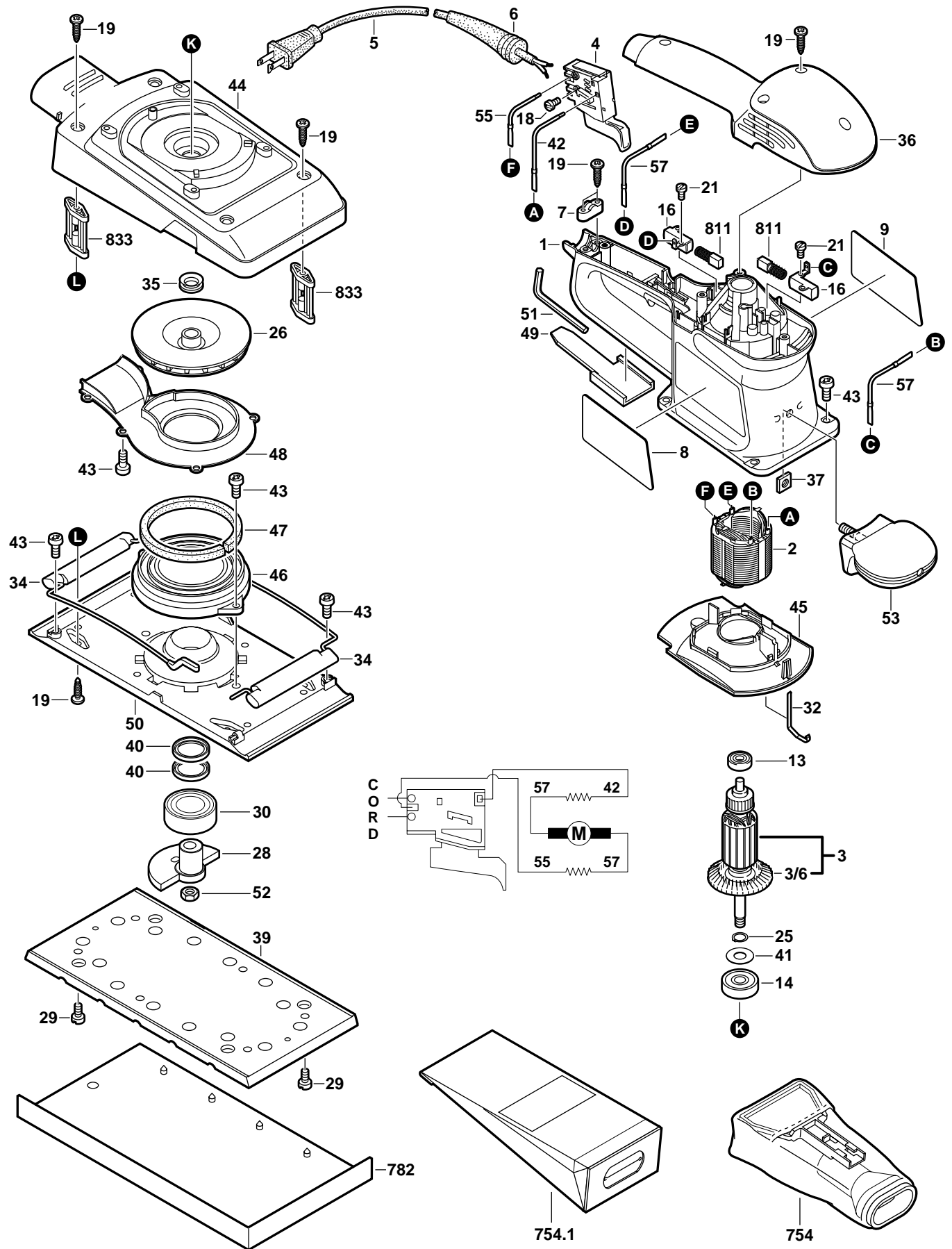
# BOSCH

April 1998  
INDUSTRIAL

## ORBITAL SANDER

Model 0601293039

# 1293D



# 1293D ORBITAL SANDER

Pos.	Part Number	Description {Qty}	F/C	Pos.	Part Number	Description {Qty}	F/C
1	2 605 104 538	Motor Housing	71	36	2 605 500 125	Motor Housing Cover	70
2	2 604 220 528	Field 120V	22	37	2 915 121 006	Nut	89
3	2 604 011 109	Armature w/Fan 120V	AW	39	2 608 000 236	Pad	88
3/6	2 606 610 076	Fan	23	40	2 600 290 036	Seal {2}	77
4	2 607 200 260	Switch On/Off	15	41	2 600 590 013	Washer	65
5	3 604 460 555	Cord 120V 18/2	11	42	2 604 448 043	Cable 195mm	10
+ 5/1	1 900 452 012	Terminal Sleeve {2}	11	43	2 603 435 042	Screw {14}	89
6	2 600 703 018	Strain Relief	11	44	2 600 282 018	Dust Fan Housing	73
7	2 601 035 001	Cord Clamp	89	45	2 601 328 055	Baffle	24
8	2 610 994 077	Nameplate	9	46	2 601 328 054	Gasket Mount	9
9	2 610 994 076	Label "1293D"	9	47	2 601 005 017	Gasket	79
13	2 600 905 051	Ball Bearing	60	48	2 600 034 007	Dust Shroud	38
14	2 600 905 062	Ball Bearing	61	49	2 601 035 002	Bag Support Bar	9
16	2 604 337 016	Brush Holder {2}	25	50	2 608 000 167	Base Plate	88
18	2 603 410 001	Screw {2}	89	51	1 907 950 006	Allen Wrench 5mm	9
19	2 603 435 040	Screw {14}	89	52	2 915 051 107	Nut	89
21	2 603 435 062	Screw {4}	89	53	2 602 026 070	Auxiliary Handle	9
25	2 916 640 006	Retaining Ring	89	55	2 604 448 005	Cable 130mm	10
26	2 606 610 086	Fan	23	57	2 604 448 100	Cable 68mm {2}	10
28	2 600 499 042	Counterweight	68	754	2 605 411 112	Cloth Dust Bag Assembly	9
29	2 603 410 042	Screw {6}	89	754.1	2 610 906 333	Paper Bag (3 pcs.)	9
30	2 600 905 071	Ball Bearing	60	782	2 608 190 017	Punch Plate	9
32	2 601 329 053	Spring Clip	27	811	1 607 014 117	Brush Set	26
34	2 608 045 023	Clamp {2}	80	833	2 608 005 902	Base Mount Set (4 pcs.)	88
35	2 600 290 030	Seal	77				

## Service Notes: